

1983-84 Vanagon Waterboxer

Description	Current Track
Air flow sensor	8-9
Alternator	24-26
Alternator warning light	26
Auxiliary air regulator	13
Battery	20
Back-up light, left	55
Back-up light, right	56
Back-up light switch	55
Blower fan	105
Blower-fan control-lever light	67
Blower-fan resistance	104
Blower switch	104, 105
Brake light, left	80
Brake light, right	79
Brake-light switch	79, 80
Brake warning light	66
Cigarette lighter	70
Cigarette-lighter light	69
Clock	51
Coolant low-level-warning control unit	33, 34
Coolant low-level-warning switch	33
Coolant over-temperature warning light	34
Coolant-temperature gauge	32
Coolant-temperature sending unit	32
Defogger cut-out relay (X-contact)	91-97
Door contact/buzzer switch, left	72, 73
Door contact switch, front right	71
Door contact switch, right sliding door	84
Emergency flasher relay	56-58
Emergency-flasher switch	58-68
Emergency-flasher warning light	66
Fuel control unit	6-15
Fuel gauge	31
Fuel-gauge sending unit	31
Fuel pump	18
Fuel pump relay	18, 19
Full-throttle enrichment switch	11
Fuses (S1-S13) on fuse/relay panel	—
Hall generator	4, 5
Headlight dimmer/flasher switch	38-40
Headlight-high-beam light	36
Headlight, left	37, 39
Headlight, right	38, 40
Horn	53
Horn button	53
Idle stabilizer	4, 5
Idle switch	4, 5
Ignition coil	1-3

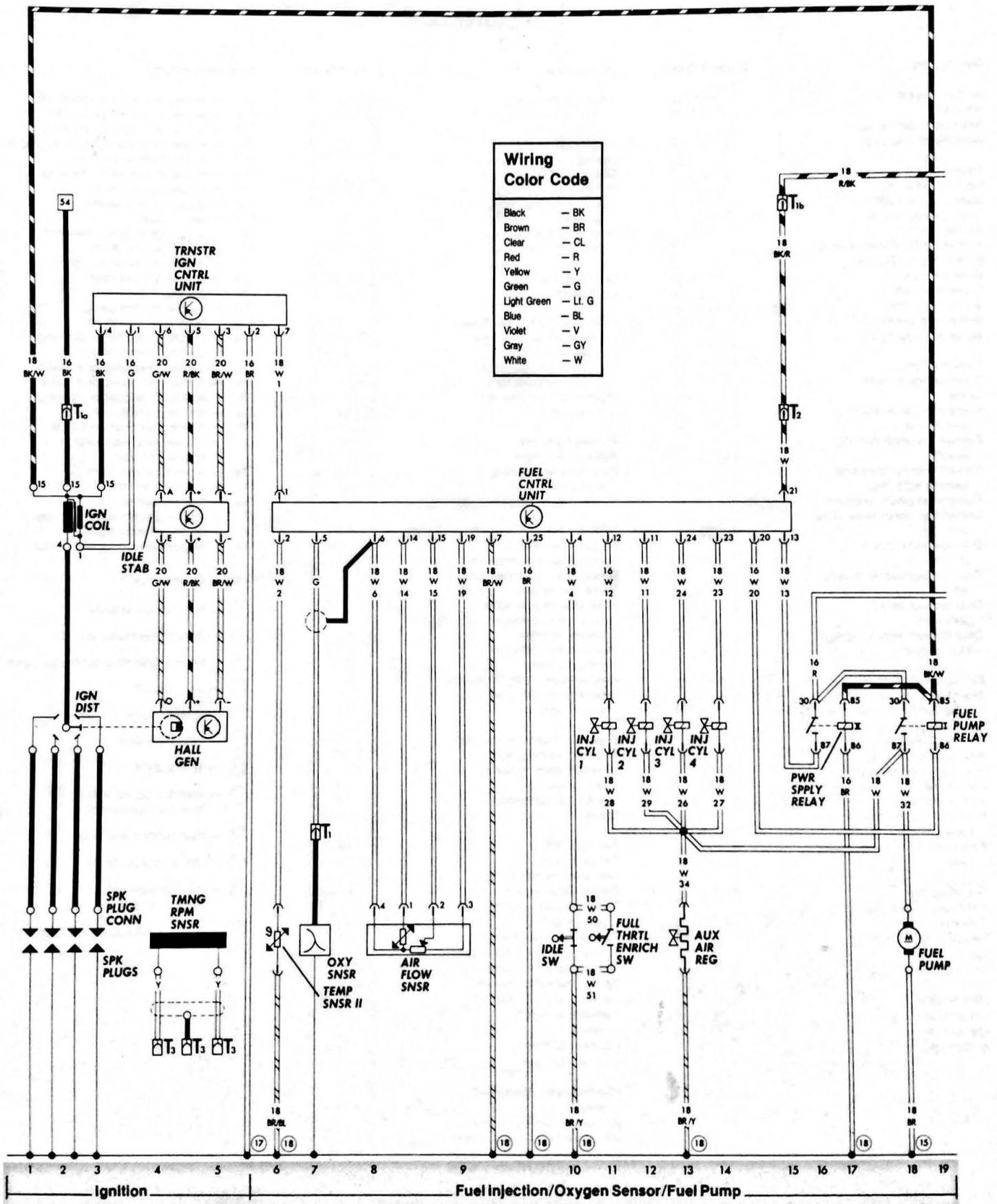
Description	Current Track
Ignition distributor	1-3
Ignition/starter switch	22-27
Injector cylinder 1	11
Injector cylinder 2	12
Injector cylinder 3	13
Injector cylinder 4	14
Instrument panel light	49, 50
Instrument-panel light dimmer	42
Interior light, front	81-83
Interior light, rear	84-86
License plate light	42, 43
Light switch	40-42
Oil-pressure switch (1.8 bar)	29
Oil pressure warning light	29
Oxygen sensor	7
Oxygen sensor elapsed-mileage indicator light	28
Oxygen-sensor elapsed-mileage switch	28
Parking light, left	48
Parking light, right	41
Parking-brake warning light switch	76
Power supply relay	16, 17
Radiator fan	87
Radiator-fan relay	88-90
Radiator-fan thermostat I	87
Radiator-fan thermostat II	90
Radio connection	60, 94
Rear side-marker lights	45, 46
Rear-window defogger heater element	92
Rear-window defogger indicator light	93
Rear-window defogger switch	92
Rear-window defogger switch light	94
Seat-belt buzzer contact, left	74
Seat-belt warning light	75
Seat-belt warning relay	73, 75
Spark plugs	1-3
Spark plug connectors	1-3
Starter	22, 23
Tail light, left	47
Tail light, right	44
Temperature sensor II	6
Timing/RPM sensor	4, 5
Transistorized ignition control unit	3-6
Turn-signal indicator light	30
Turn-signal light, front-left	65
Turn-signal light, front-right	62
Turn-signal light, rear-left	64
Turn-signal light, rear-right	63
Turn-signal switch	61
Voltage regulator	24-26
Voltage stabilizer	35
Washer/wiper intermittent relay	98-100
Windshield-washer pump	96
Windshield-wiper intermittent switch	98-103
Windshield-wiper motor	100-103

Wire Connectors

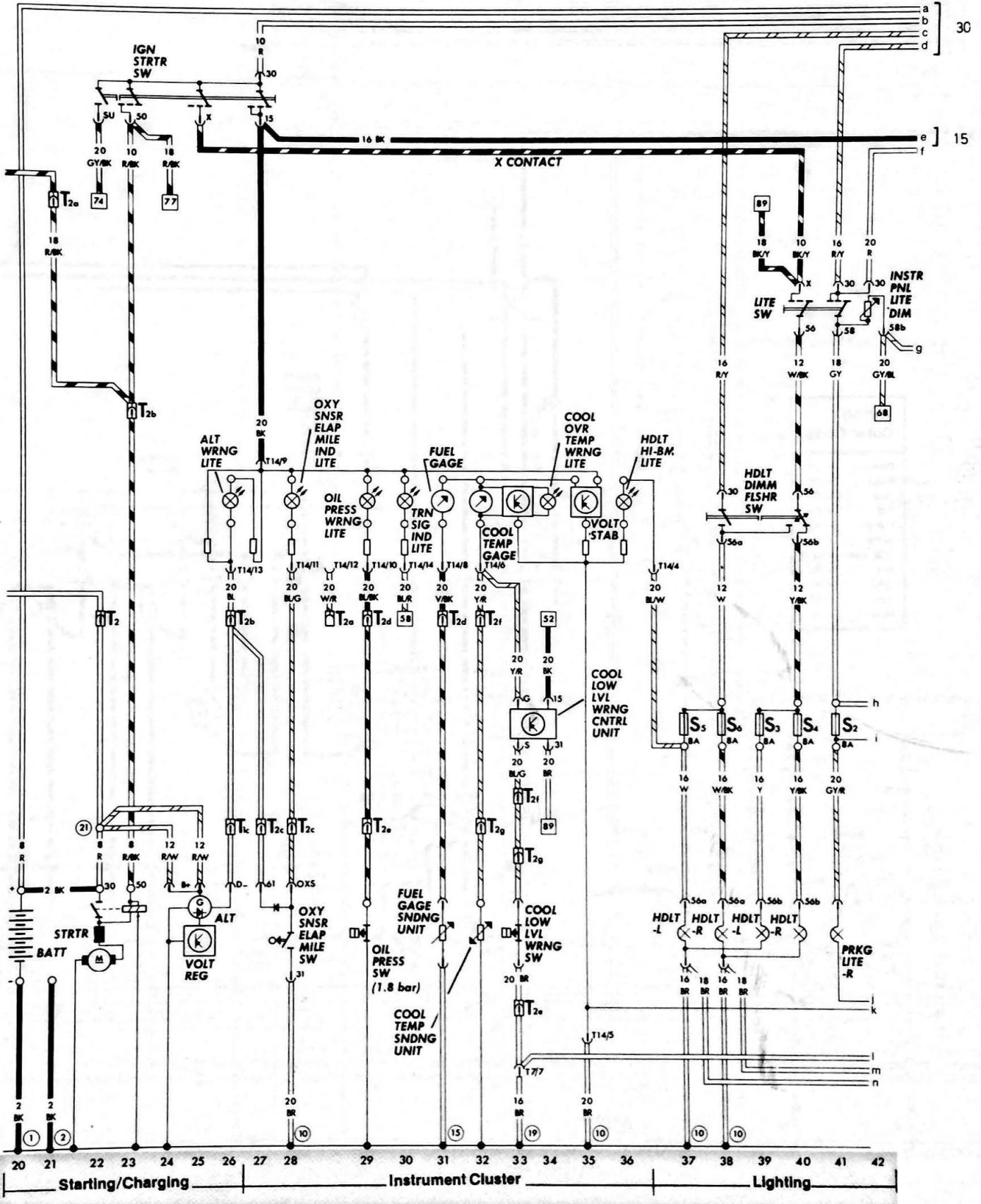
T1	— single, in engine compart, left
T1a	— single, in connector housing
T1b	— single, in connector housing
T1c	— single, near alternator in engine compart.
T1d	— single, behind dash
T1e	— single, in connector housing
T1f	— single, behind dash
T1g	— single, behind dash
T1h	— behind dash
T1i	— at roof cross-beam, rear right
T1k	— single, behind dash
T2	— double, on fuse/relay panel
T2a	— double, behind dash
T2b	— double, behind dash
T2c	— double, behind dash
T2d	— double, behind dash
T2e	— double, in connector housing
T2f	— double, behind dash
T2g	— double, in connector housing
T2h	— double, in connector housing
T2i	— double, in connector housing
T2k	— double, behind dash
T2l	— double, below driver's seat
T3	— 3-point, near alternator in engine compart.
T3a	— 3-point, behind dash
T4	— 4-point, behind dash
T4a	— 4-point, behind dash
T7	— 7-point, in connector housing
T8	— 8-point, behind dash
T14	— 14-point on instrument cluster

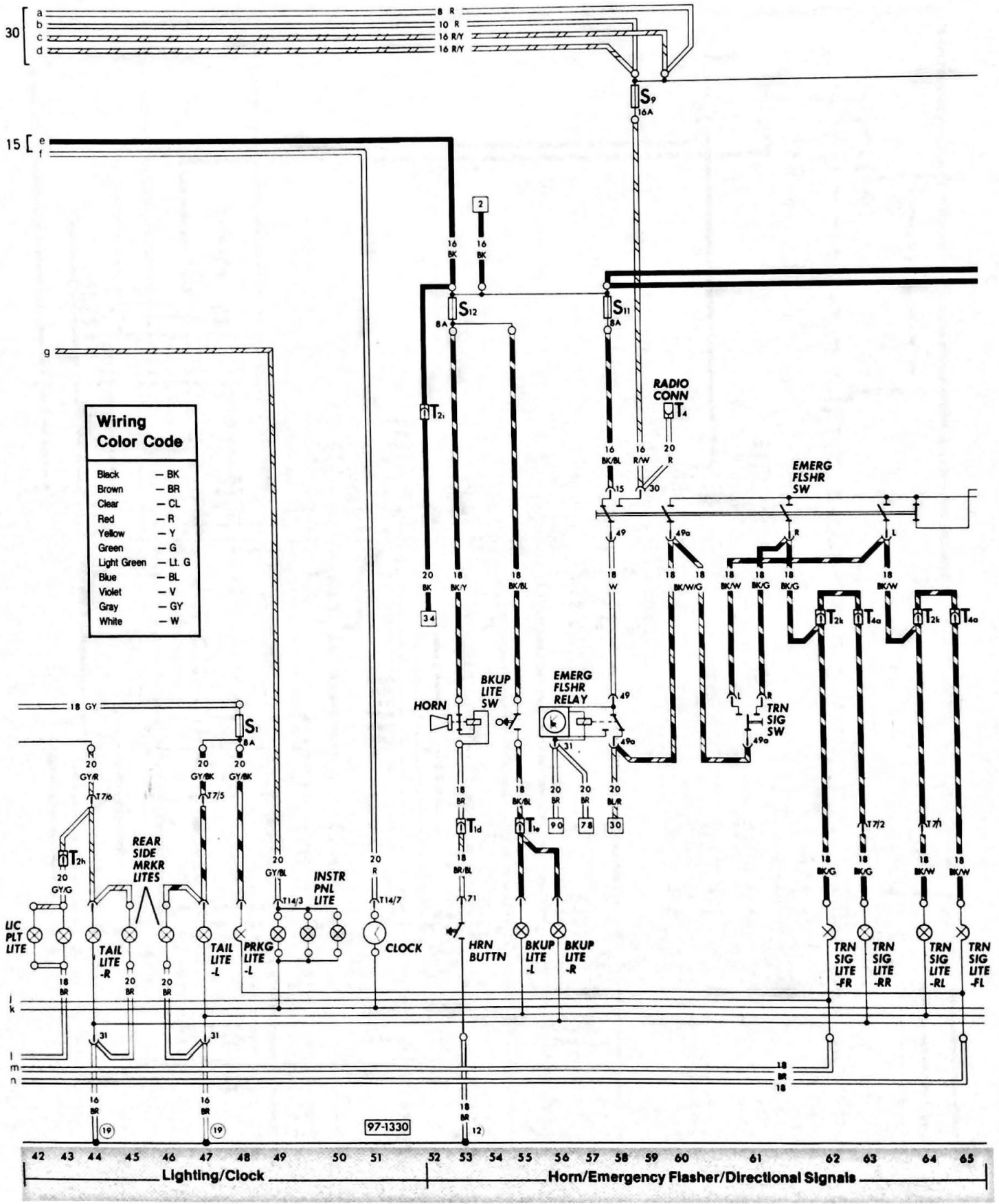
Ground Connectors

- ① — from battery to body
- ② — from transmission to body
- ⑨ — behind dash near fuse/relay panel
- ⑩ — behind dash
- ⑫ — at steering-gear housing
- ⑬ — behind air vent
- ⑭ — at rear deck
- ⑮ — near fuel pump at floor board/crossmember
- ⑰ — near ignition distributor
- ⑱ — left at cylinder head
- ⑲ — near ignition coil, in engine compart., left
- ⑳ — plus connection, in connector housing

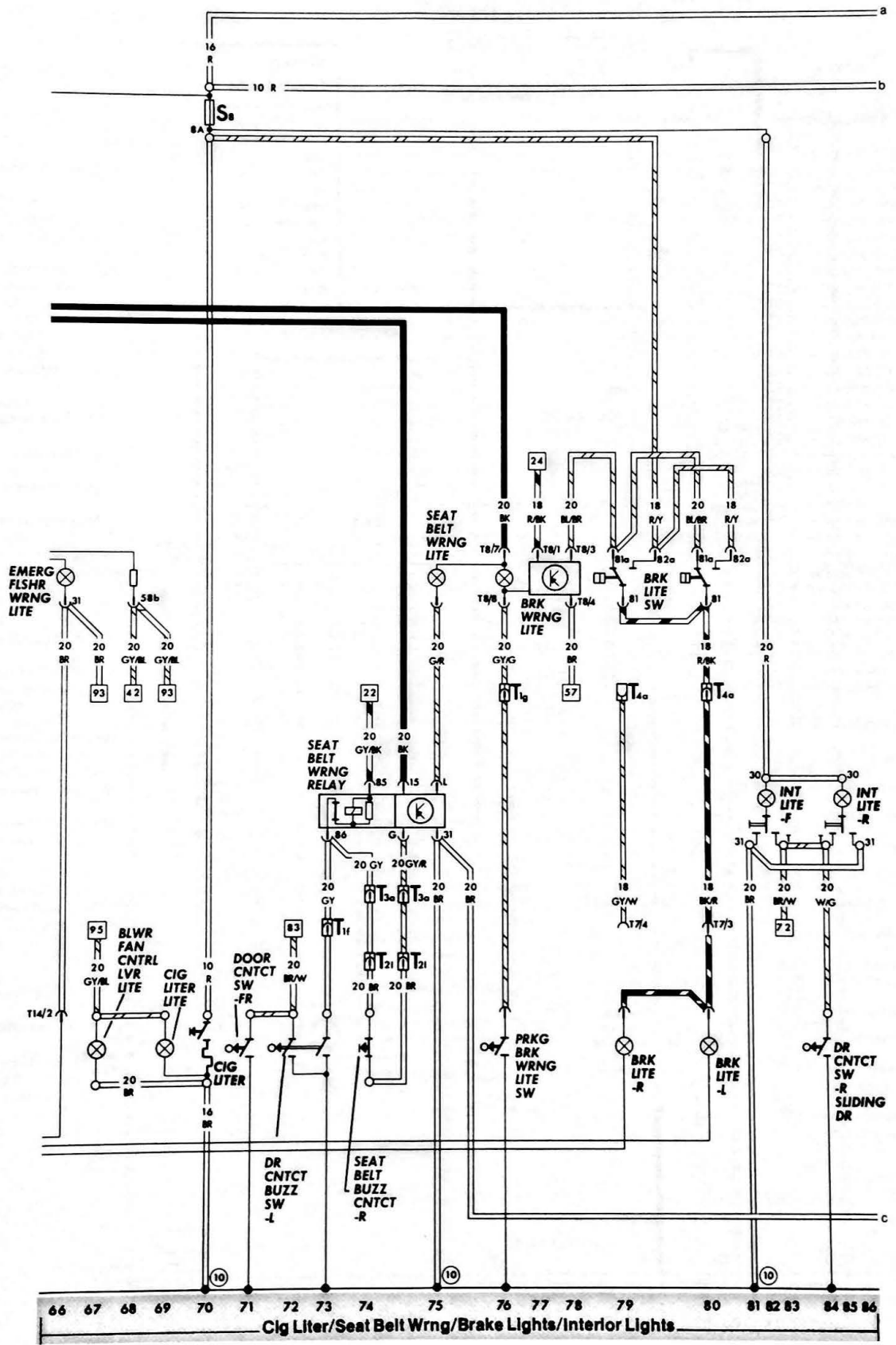


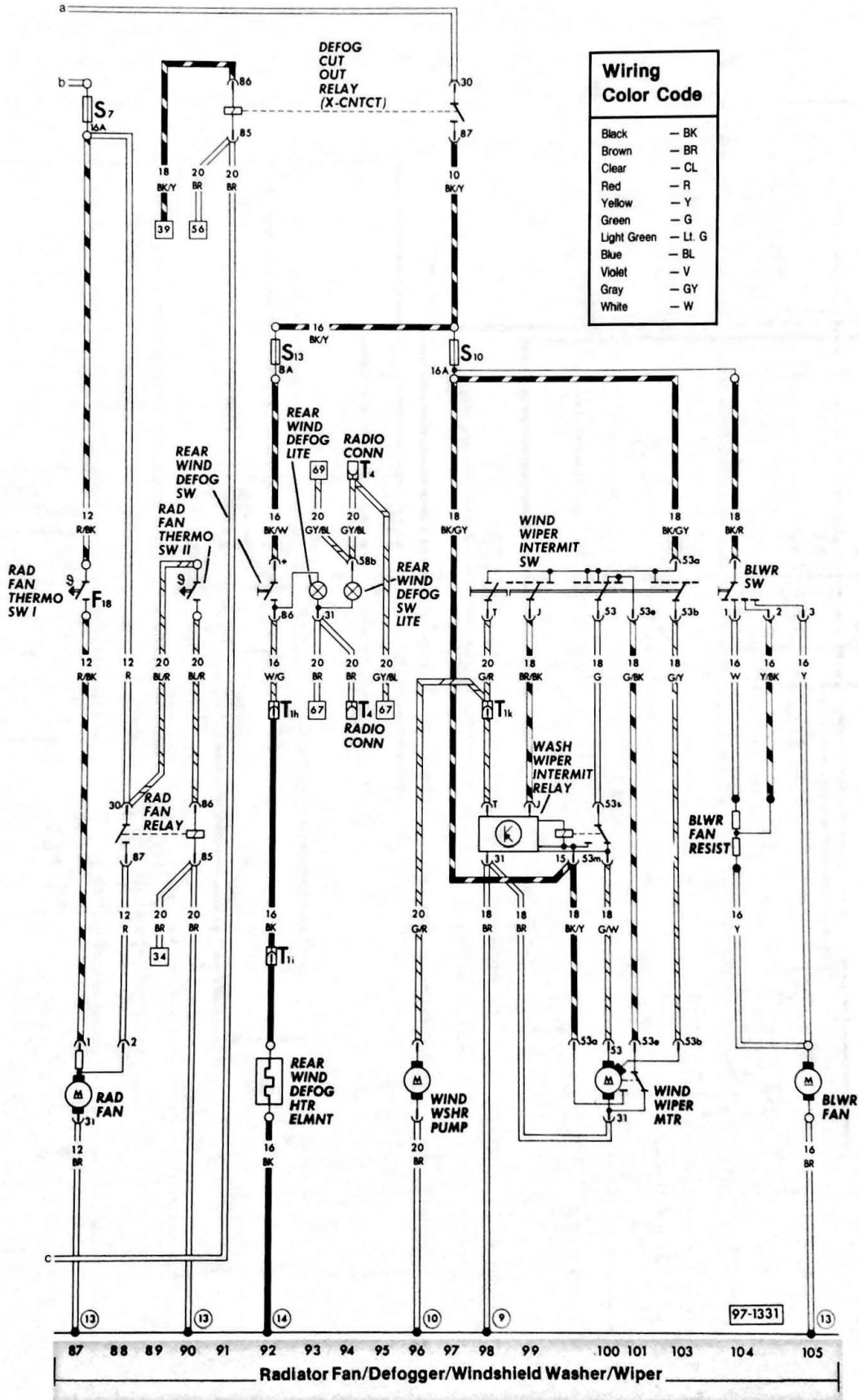
Note: All wire sizes American Wire Gauge





Note: All wire sizes American Wire Gauge





Note: All wire sizes American Wire Gauge